



Manufacturer: Multivac
Type: R145
Year Built: 2012
Working Hours: 316

This used Multivac R145 Thermoformer is built in 2012. On the PLC in the machine is standing 316 operating hours. The machine has a film width of 355mm and there is a dye set on the machine with an exit of 112mm. The format is now divided in a 6.2 format. The machine is equipped with 1 format. This format can be used for Soft and Rigid Film packaging. The format does not have a stamp. The frame of the machine is currently 5600mm long, but we can always adjust this to the dimension you need.

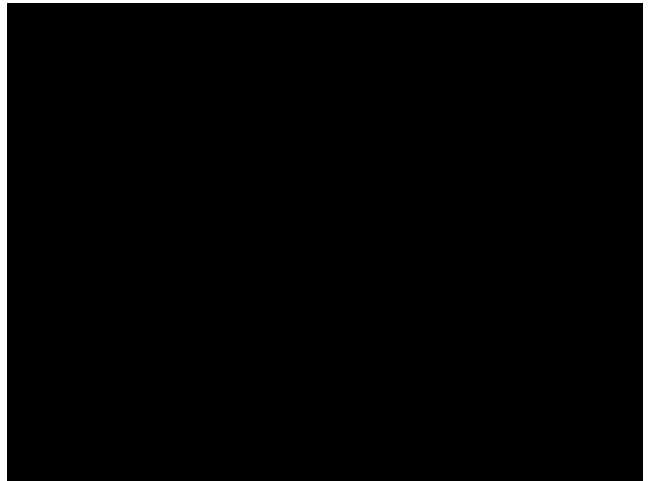
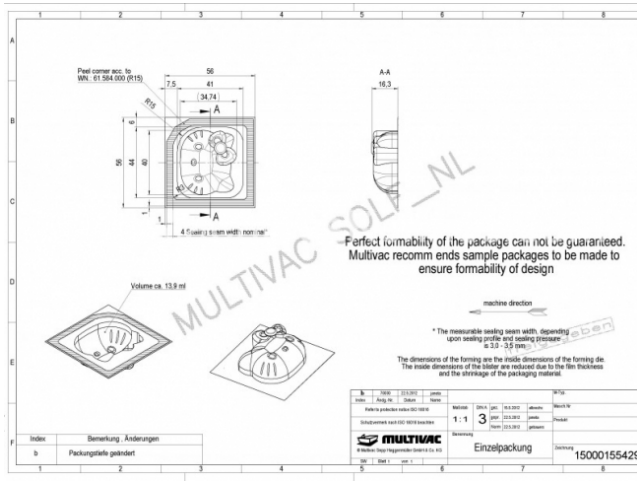
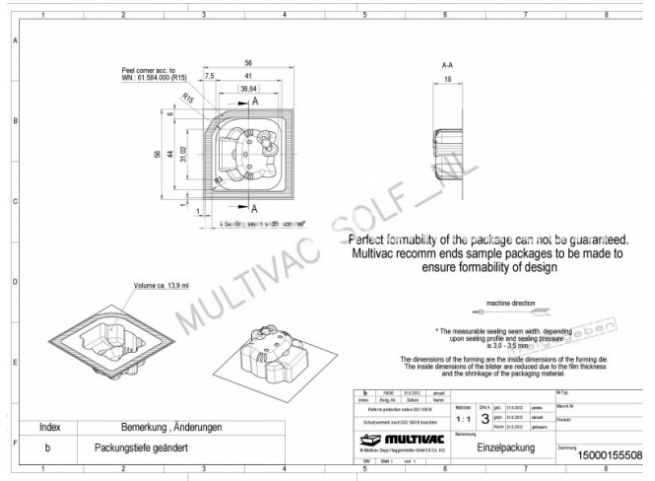
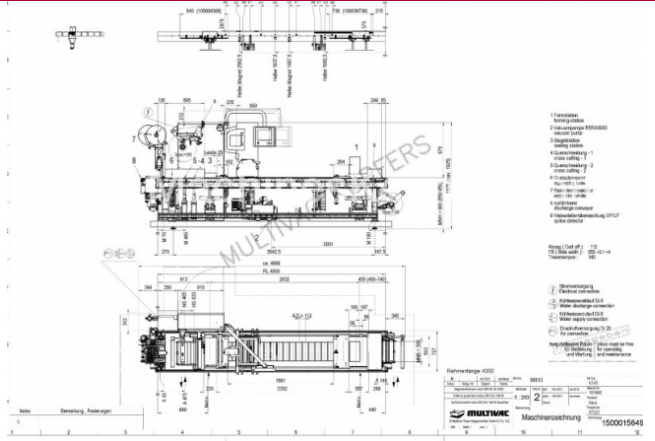
Machine details

- Type under foil unwinding: 76mm Core.
- Type top foil unwinding: 76mm core.
- The machine has 2 QRF cuts.
- The machine is equipped with a Cassette Undercut length cutting.
- For the process the residual foil is a Roll-up wheels on this machine.
- The products come from the machine on a Modulair belt.

Other features of the machine

- Forming Pump

If you wish, you can contact us more photos or information.



Type	R145	Sepp Haggenmüller GmbH & Co. KG
Seriennummer		Bahnhofstr. 4
Bouwjaar	2012	87787 Wolfertschwenden
Netspanning	400/230 V	Germany
Fasen	50 Hz	www.multivac.com
Nominaal vermogen	3/N/PE AC	Verkoop en service
Nominale stroom	6.5 kW	
Max. voorzekering	32 A	
Max. kortsluitstroom	50 A	105961237 NL
	5 kA	



 NG 09052

